

SOLAR LED STREET LIGHTS WITH SENSOR



TECHNICAL SPECIFICATION

SOLAR LIGHT

Features:

- High quality and outstanding design
- Durable & Waterproof
- Solar power supply and environment-friendly
- Energy-saving- ZERO electricity cost.
- No wiring needed and easy to install.
- Adopt optical Lens optimize light, not only make the light brighter, also Anti-UV.
- High Quality Poly-crystalline Silicon Solar Panel, High Conversion Solar Photo electricity, high energy trans-action rate.
- High performance lithium battery 2400mAh, bigger capacity brings longer lifespan.

Technical information:

- Power: 4W; 8W; 15W
- LED & Lens: LM-80 LEDs 2835SMD; high transmittance PC optical lens
- Colour temperature: 6000K
- Detection angle: 120°
- Beam angle: 140°x 70°
- Solar panels: Poly-crystalline silicone; Frosted surface- scratch resistant
- Material: ABS + PC, anti UV and glossy, V0 fireproof
- Colour body: Black
- Installation height 98SOL100: 2-4meters, other models: 3-5m
- CRI: Ra>80
- IP Class: IP65
- Possibility to mounting on Wall or Lamp-post
- Accessory for wall mounted installation: included



TECHNICAL SPECIFICATION

SOLAR LIGHT

Working modes:

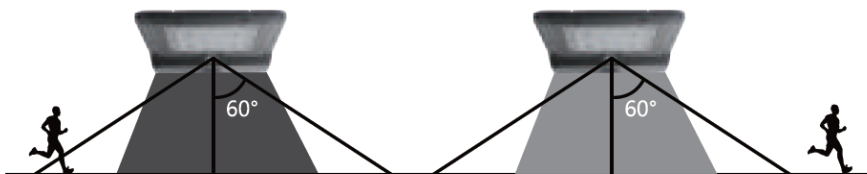
Smart button:



ON/OFF

The lamps are with auto-adjusting working mode, you only need to press the button once, it will work permanently.

First 5Hrs lighting



Automatically turns on to full brightness when motion is detected in the range ≤ 8 mtrs (98SOL100 ≤ 6 mtrs) and then turns to weak brightness in 20 seconds of no motion.

After 5Hrs lighting or when battery capacity below 30%



Automatically turns on to full brightness (850lm) when motion is detected in the range ≤ 8 mtrs (98SOL100 ≤ 6 mtrs) and then turns to weak brightness in 20 seconds of no motion, then turns off after 5 minutes.

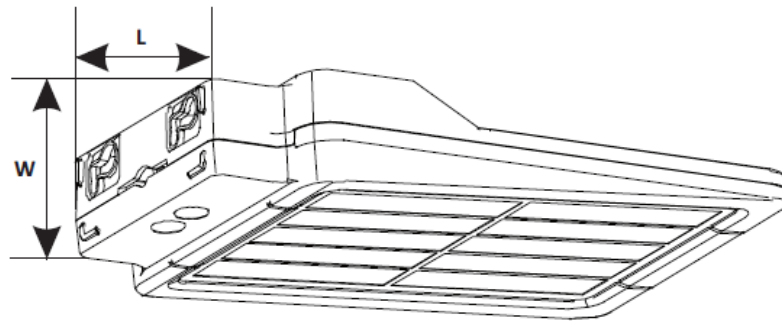
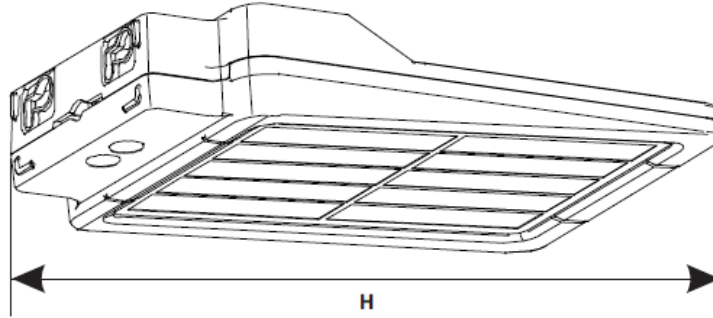
TECHNICAL SPECIFICATION

SOLAR LIGHT

ELMARK[®]

The Brand of Electricity

Product information:



Catalogue number	Watt (W)	Whole fixture lumens (lm)	Colour temp. (K)	Solar panel (Wp)	Battery (V/mAh)	Sensor range (m)	Size (mm)			Packing /Box (pcs)
							Length	Height	Width	
98SOL100	4	440	6000	2.3	3.7V/ 2400mAh	2-6	137	224.4	41.5	1/1
98SOL101	8	940	6000	7	3.7V/ 6000mAh	3-8	193.7	351.4	50.8	1/1
98SOL102	15	1760	6000	9.5	7.4V/ 5400mAh	3-8	232	413	58	1/1